

APPLICATION

Observe live images of fluid flow in pipelines.

TECHNICAL DATA

- Size : DN15-DN50
- Maximum working pressure : 16 bar
- Maximum working temperature : + 180°C

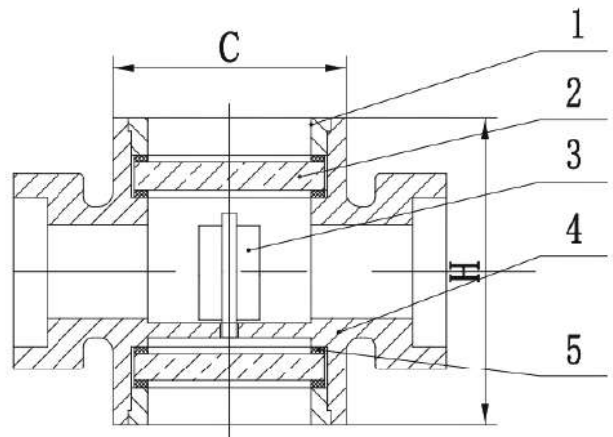
SPECIFICATION

- Type: Screw Impeller sight glass
- Pressure test according to API 598-2016
- Threaded according to ISO 228-1



MATERIAL

No.	Parts name	Material
1	Gland	WCB
2	Glass	Borosilicate tempered glass
3	Impeller	Stainless steel 3004
4	Body	WCB
5	Gasket	PTFE



DIMENSIONS

Size		H	C
DN (mm)	inch	mm	mm
DN15	1/2	66	50
DN20	3/4	66	50
DN25	1	71	50
DN32	1-1/4	80	58
DN40	1-1/2	87	58
DN50	2	105	75

